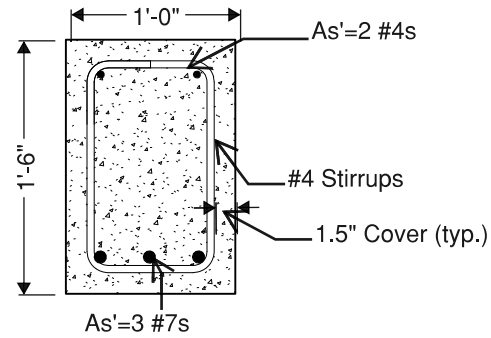
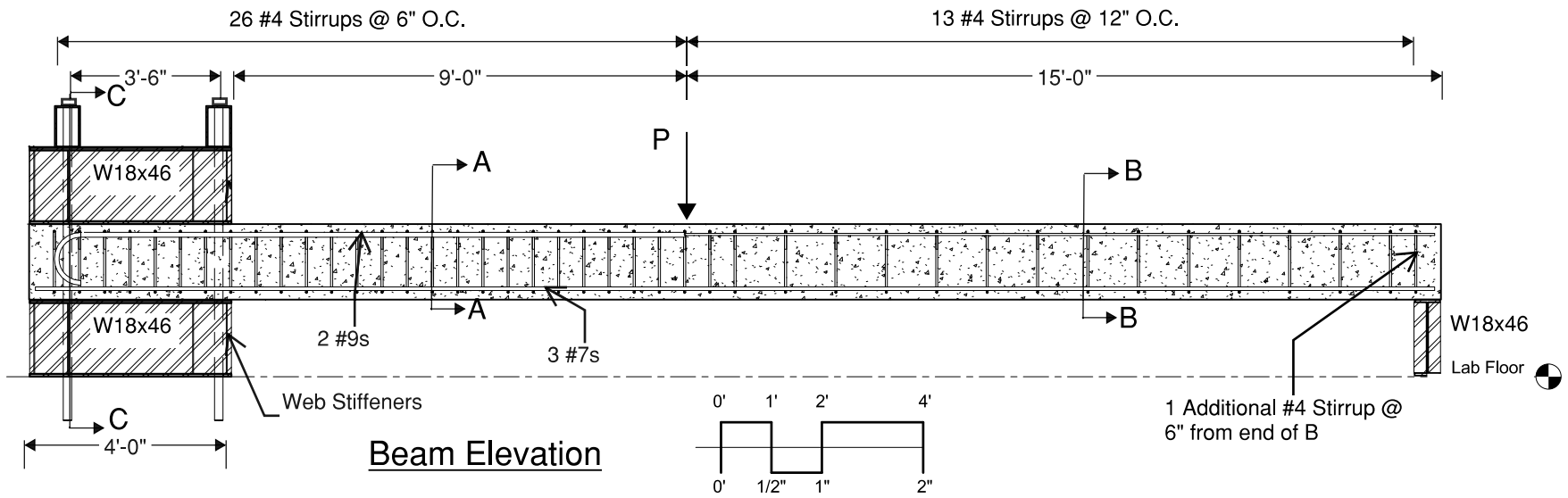


**Section A-A**



**Section B-B**



**Beam Elevation**

CE 334  
Reinforced Concrete I

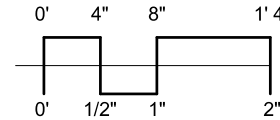
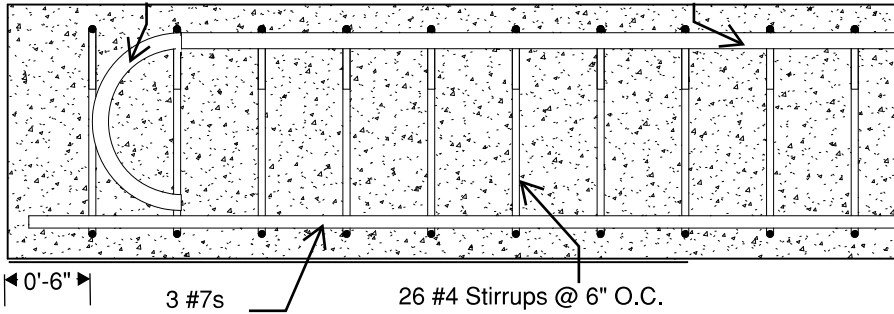
No.	Description	Date

**Reinforcement Plan**

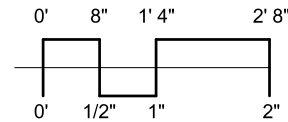
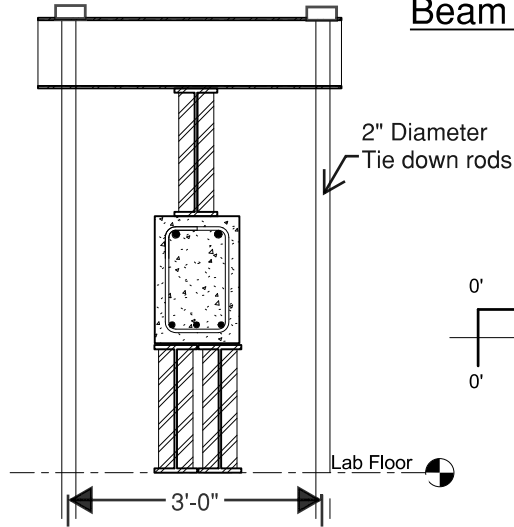
Project number	1	<b>1</b>
Date	3/31/16	
Drawn by	-	
Checked by	-	
		Scale As indicated

Standard Hook

2 #9s



**Beam Elevation Detail**



**Section C-C**



CE 334  
Reinforced Concrete I

No.	Description	Date

**Reinforcing Details**

Project number	1	<b>2</b>
Date	3/31/16	
Drawn by	-	
Checked by	-	
		Scale As indicated